

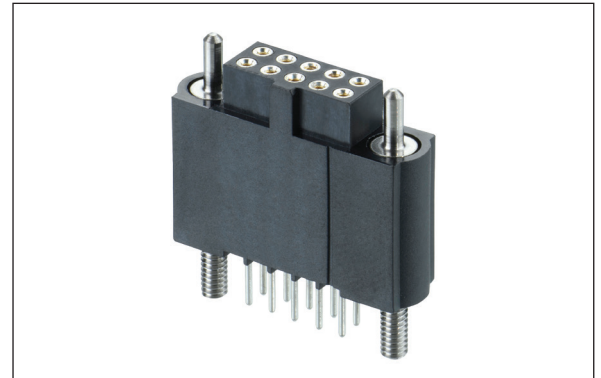
Datamate J-Tek Extended Height Hi-Rel Connectors

Robust 2mm Pitch Connectors with increased board-to-board mating distance

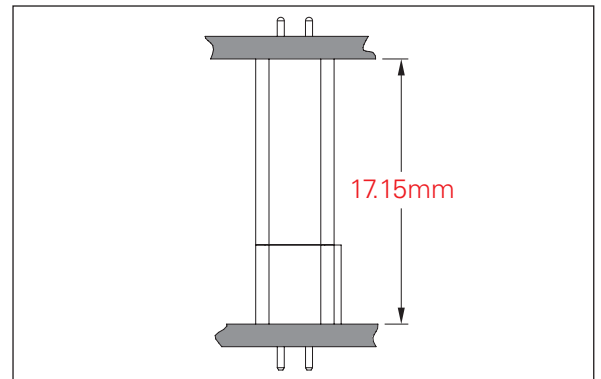
High-reliability performance for harsh conditions with increased board spacing. Extended height female connectors raise the board-to-board stack height by nearly 10mm.

Vertical female connectors in double row layouts, with 4.4mm terminations. Robust stainless steel guide pins provide easy mating assistance. Board mount studs provide strain relief for solder terminations. Compatible with vertical male J-Tek connectors.

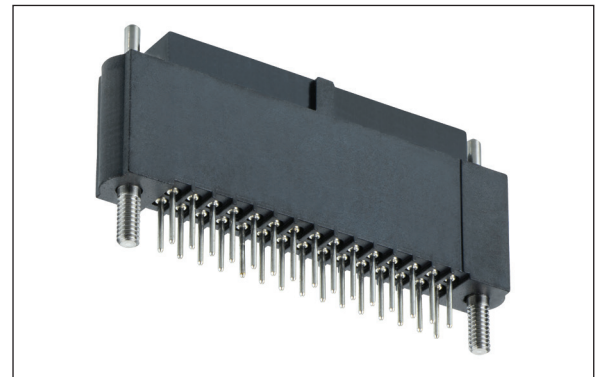
The Datamate J-Tek connector range ensures continuous signal integrity under vibration and shock conditions. With quick delivery from stock for popular styles, take advantage of this in-depth range for all your high performance needs.



10 contact female connector: M80-4TE1042F3



PCB stack distance with male throughboard



30 contact female connector: M80-4TE3042F3

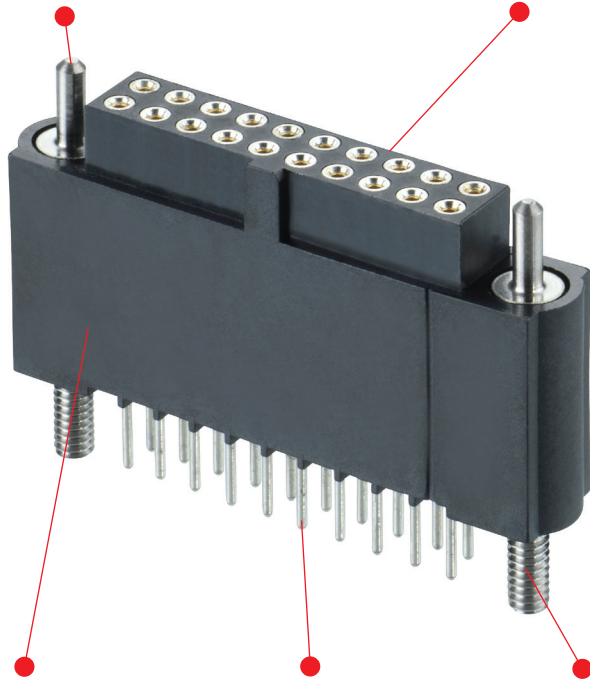
Features and Benefits	
Board-to-board height of 17.15mm	More space between PCBs for larger board-mounted components or cabling
3A per signal contact (all electrically loaded; 3.3A per individual contact) at 2mm pitch	Capable of signal and low power within a compact design, saving PCB real estate
Proven 4-finger female contact design	Maintains electrical continuity through high vibration and shock environments
Beryllium Copper Contact with -55°C to +125°C temperature range	Rugged and durable connector design for demanding applications
500 Mating cycles durability	Suitable for both fit-and-forget and multiple testing & replacement cycles
World-class quality from the Original Designers of Datamate	Published test reports, proven track record, high quality requirements through the complete production cycle

Key Applications	
Aerospace, Defense & Security	Radar, avionics controls, guidance systems, UAVs, radio communications, radar and tracking, vehicle electronics
Motorsport	Sensors and telemetry, navigation, ERS controls
Space	Satellites & CubeSats, communications, launch systems
Energy	Oil & Gas, renewable energy equipment
High-end professional electronics	Robotics, automation, drives & controls
Medical	Diagnostics, instrumentation

Product Features

Stainless steel guide pins for board-to-board mating assistance

Compatible with male vertical board connectors from the Datamate J-Tek range



Increased body height to give a 17.15mm board stack distance

4.4mm terminations for board thicknesses up to 3.2mm

Stainless steel 5mm threaded studs for termination strain relief

How to Order

M80 - 4TE XX XX F3

SERIES CODE

TYPE

4TE

Female Vertical Throughboard with Extended Height

TOTAL NO. OF CONTACTS

10, 20, 30

FINISH

42

Gold + Tin

05

Gold

JACKSCREW

F3

Guide Pin with Board Mount

Accessories



M80-2130000B

Slotted Board Mount Nut



M80-2430000B

Hex Board Mount Nut

Not supplied with connectors – order separately.

Specifications

Electrical		Mechanical		Physical	
Current rating	3.3A max individual, 3A max all contacts	Durability	500 mating cycles	Housing	Glass filled PPS, UL94V-0
Voltage rating	800V AC/DC	Temperature Range	-55°C to +125°C	Contacts	Copper alloy, Gold or selective Gold/Tin plating
Maximum Voltage	1,200V AC/DC	Vibration	20G, 6 hours total	Guide Pin and Board Mount	Stainless steel
Insulation Resistance	1,000MΩ min	Shock	100G	Packaging	Tube

CONTACT US

Harwin Europe (Global Headquarters)

Portsmouth, Hampshire, UK
E: mis@harwin.co.uk
T: +44 (0)23 9231 4545

Harwin Inc (Americas)

Salem, New Hampshire, USA
E: mis@harwin.com
T: +1 603 893 5376

Harwin Asia Pte Ltd (Asia, Australasia)

Singapore
E: mis@harwinasia.com
T: +65 6 779 4909